

MAGNUM-D V8

Magnetic Bearing Isolator

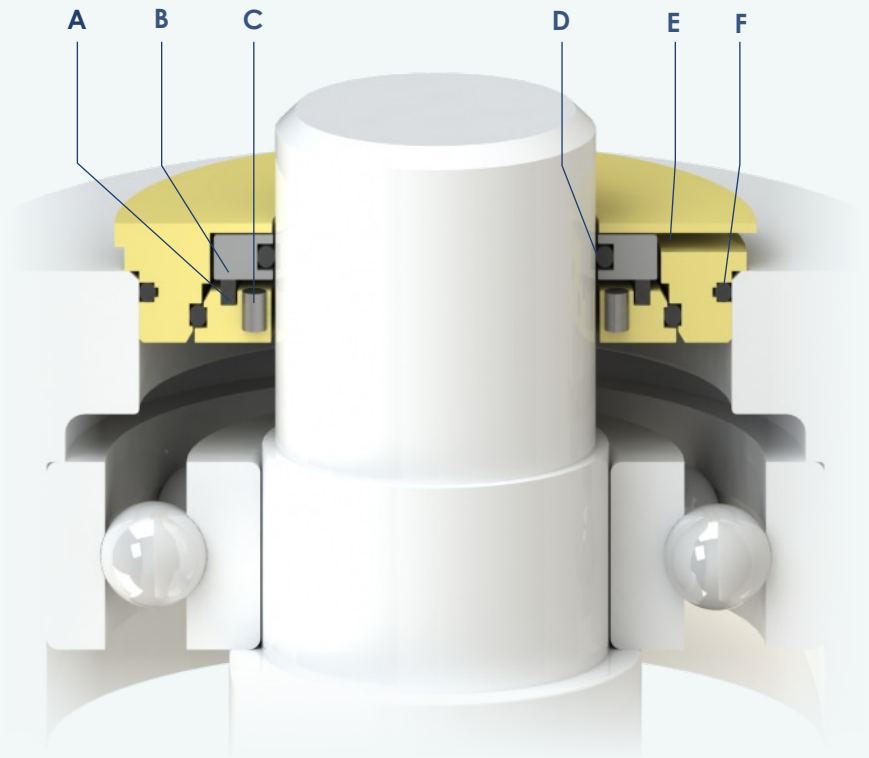


ISOMAG[®]
DURABLE BY DESIGN

DATASHEET

FEATURES

- A** : Composite stationary face
- B** : Ferrous rotating face
- C** : Rare earth magnets
- D** : O-ring driven rotor
- E** : Oil recirculation drain-back
- F** : O-ring bore fit



APPLICATIONS

- Lubrication:** Splash, Grease
- Equipment:** Pumps, Motors
- Orientation:** Horizontal, Vertical Up

TECHNICAL SPECIFICATIONS

- Standard Materials:** Bronze, Stainless Steel
- Temperature:** 400°F/205°C max, -15°F/-26°C min
- Pressure:** 0-2 psi (0-.14 Bar)
- Shaft Size:** .750 in (20 mm) - 24 in (610 mm)
- Shaft Speed:** 15,000 ft/min (76.2 m/s)
- Axial Movement:** +/- 1.0 in (25.4 mm) or greater
- Radial Movement:** .020 in (.5 mm)
- Configurations:** Bolted, Non-flanged, Male/Female Fit

Extremely clean lubrication up to 75,000 hrs

Reduce frequency of oil changes

Eliminate wear to host equipment

Prevent lubricant leakage

Prevent contaminant ingress

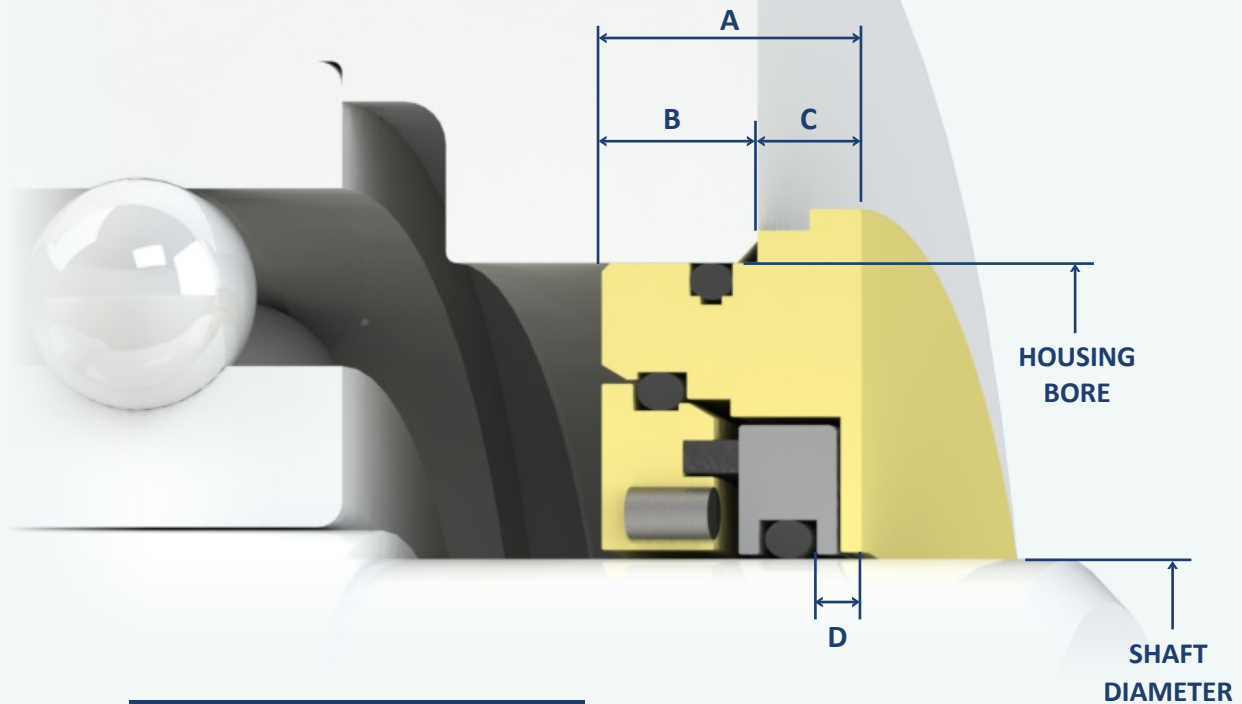
MAGNUM-D V8

Magnetic Bearing Isolator



ISOMAG[®]
DURABLE BY DESIGN

EXTERNAL DIMENSIONS



IMPERIAL UNITS					
SHAFT DIAMETER (1/16" increments)	HOUSING BORE Minimum	LENGTH "A"	ENTRY "B"	EXTERNAL "C"	O-RING "D"
.750" to 2.000"	Shaft + 1.000"	0.625"	0.375"	0.250"	0.107"
2.062" to 3.000"	Shaft + 1.000"	0.650"	0.375"	0.275"	0.110"
3.062" to 4.000"	Shaft + 1.187"	0.835"	0.500"	0.335"	0.132"
4.000" to 7.000"	Shaft + 1.187"	0.850"	0.500"	0.350"	0.135"
7.000" to 15.000"	Shaft + 1.500"	1.030"	0.650"	0.380"	0.170"

METRIC UNITS					
SHAFT DIAMETER (1mm increments)	HOUSING BORE Minimum	LENGTH "A"	ENTRY "B"	EXTERNAL "C"	O-RING "D"
19mm to 50mm	Shaft + 25mm	15.875	9.525	6.350	2.540
51mm to 75mm	Shaft + 25mm	16.510	9.525	6.985	2.794
76mm to 100mm	Shaft + 30mm	21.209	12.700	8.509	3.365
101mm to 175mm	Shaft + 30mm	21.590	12.700	8.890	3.620
176mm to 380mm	Shaft + 38mm	26.162	16.510	25.780	4.318

***Contact factory for seals greater than 15.000" or 380mm*